

M26/M30/M40/M50

MASTED FORKLIFT TRUCKS



M 26 / M 30 / M 40 / M 50

4 models, 12 versions to choose from



M 26 and 30

2-wheel or 4-wheel drive
Hydrostatic version
on 2-wheel
drive



M 40 and 50

2-wheel or 4-wheel drive
Hydrostatic version
on 2-wheel
drive





MANITOU: AT YOUR SIDE ON ANY CONSTRUCTION SITE

The M range is Manitou's most established range. Unparalleled in the market, this range was developed with more than **50 years of working experience, innovations, and listening to our users.**

Renowned for their **sturdiness** and **performance** even in very extreme conditions, the all-terrain Manitou forklift trucks go where others do not!

In combining **simplicity** and **productivity**, the M forklift trucks are essential allies for your construction sites.

The **power** and the **manageability** of the M26, M30, M40 and M50 allow you to carry out your **handling duties in complete safety.**



SIMPLICITY

■ ■ Simplified USAGE and MAINTENANCE

COMMONALITY across all models



Spacious cab with a panoramic view

- Full vision cab with optional doors which can be securely folded back.
- Suspended cabin reducing vibrations for the operator.
- Efficient heating and ventilation as standard, air conditioning (optional).

Ergonomic levers

The user benefits from being ideally positioned to use the controls which are naturally located within easy reach.



CURVED COUNTERWEIGHT : IMPROVED REAR VISIBILITY



Very tight turning radius
3.40 m



EASE OF MAINTENANCE

whatever the model
When the bonnet is **fully open** complete access **can be gained** to the engine, gauges, filters and lubricators, to reduce the maintenance time and to help prevent downtime.

PANORAMIC CABIN : 360° VIEW



QUICK AND SAFE ACCESS

via a large door and
a no-slip step

SHOCK ABSORBER

As standard, Shock Absorber technology keeps the load stable no matter the state of the ground on which you are manoeuvring.

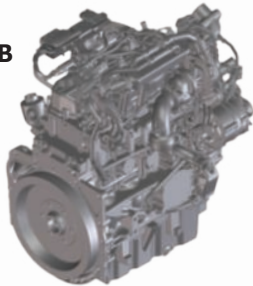


PRODUCTIVITY

PERFORMANCE and STURDINESS

Power: 75 HP

New generation **STAGE 3B** engine with particle filter.



Energy saving

Fuel consumption reduced by up to 13%.

Exceptional all terrain capability

Large diameter front wheels with good load distribution on both axles with central differential locking system. Available in 2 wheel drive and 4 wheel drive.



43 cm

Good ground clearance

Lifting height up to

7 m



Its **width** ensures the fork-lift truck has better stability for extra safety for lateral loading.

Rear axle can move through a wide angle



Transmission

Convertor

Torque convertor gives the operator a selection of gears suitable for high performance on all ground conditions.

Hydrostatic

Recommended for applications requiring:

- a regulated working power,
- a constant speed control,
- a driving and approach precision,
- repetitive braking: the automatic braking, when releasing the accelerator pedal, improves comfort for the driver.

Mast reclines
up to **15°**



**MANITOU masts,
recognised quality
for over 50 years!**



TOGETHER, LET'S REDUCE OUR CARBON FOOTPRINT



The material handling sector has not yet got a normalised cycle to measure the trucks' energy consumption. Manitou Group clearly shows its commitment to transparency by establishing an internal protocol, accessible to all, that can reveal its own measures of consumption (l/h) and CO2 emissions (kg/h). To provide the highest reliability, the data is checked and approved by an independent body, UTAC* specialized in the registration of vehicles and equipment.

SUSTAINABLE SOLUTIONS

To be THE material handling reference is to commit to innovate to offer you safe, efficient and sustainable solutions today and tomorrow.

TEST PROTOCOL

Consumption measurements are performed on four representative activities of a telescopic forklift: handling, bulk loading, idle and road work.



TOGETHER

Manitou Group would like to accompany you in reducing your trucks fuel consumption to help cut back your carbon footprint.

APPROVED PROCEDURES

To validate orientations adopted by the Group in terms of fuel consumption, we wanted to validate our procedures via a recognised external body.

INFORM

We have developed information and awareness tools (product labels, iPad simulator...) to inform you about our trucks' fuel consumption and emissions.



Calculate your fuel consumption:
<http://reduce.manitou.com>



*UTAC: Technical Union for the Automobile, Motorcycle and Cycle Industries performs official duty cycles in the automotive sector. UTAC is the only French Technical Service notified to the European Commission and the UNO for fuel consumption.



MANITOU
FINANCE

Tailor-made finance to make the best use of your funds

You can plan the purchase of your forklift with peace of mind by using MANITOU* financing opportunities.

You will have simple solutions adapted to your needs and seasonal requirements. If you want to make a rapid investment, consider asking us for a personalised proposal to take your situation into account.

* MANITOU Finance solutions are available in certain countries.

MANITOU maintenance contract

2 levels of maintenance adapted to your needs. You are sure of:

- equipment always in good working condition
- a reduction of repair costs as a result of regular servicing
- authentic standardised services

- Labour
- Attendance costs



- Labour
- Attendance costs
- Parts and lubricants



MANIPLUS extension of guarantee

With MANIPLUS you can take out an extension of guarantee until 5 years.

EASY MANAGER

A simple and flexible system for fleet management (with or without geolocation) to provide optimum service from your machines. EASY MANAGER gives you:

- real-time materials management
- simple and easy way of managing your machinery activity and maintenance
- maximise your asset and safeguard your equipment



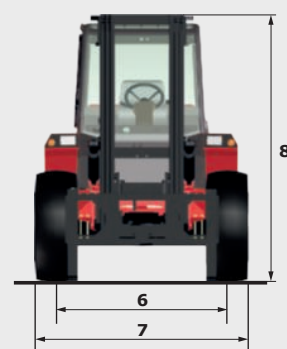
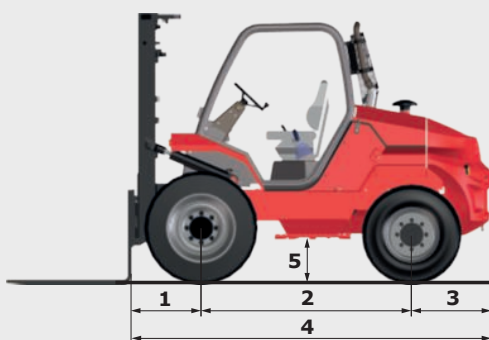
MANITOU spare parts

Utilising genuine MANITOU spare parts is sure to prolong the best performance capability of your machine. Your MANITOU dealer has access to a stock of 70,000 part numbers, available in 24 hours in Europe (48 hours outside Europe).



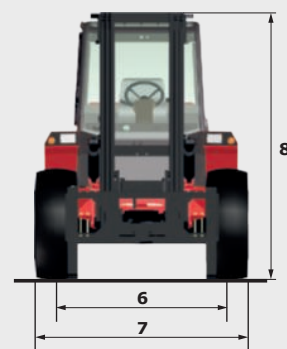
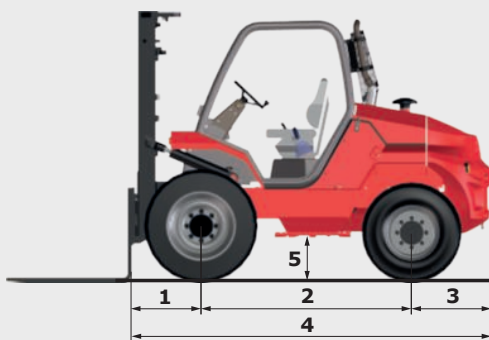
M26-2 M26-4 M30-2 M30-4

	M26-2 / M26-2H	M26-4	M30-2 / M30-2H	M30-4
Lifting				
Max. capacity	2 600 kg at 500 mm CDG		3 000 kg at 500 mm CDG	
Lifting height (standard mast)			3.70 m	
Max. lifting height			7.00 m	
Unladen time				
Lifting			0.5 m/s	
Lowering			0.5 m/s	
Tyres				
Forward	14,5R20 18PR MPT80 TL	400/70-20 150B T37 STAB TL	14.5 R20 18PR MPT80 TL	400/70-20 150B T37 STAB TL
Backward	10R 17.5 134/132 M G291	10.5/80-18 10PR TG42 TL	10R 17.5 134/132 M G291	10.5/80-18 10PR TG42 TL
Braking				
Service brake	Oil immersed multi-disc braking on front/rear axles			
Parking brake	Oil immersed multi-disc mechanics on the front axle			
Engine				
Type	PERKINS - STAGE EURO 3B			
Cubic capacity	PERKINS 854F-E34T 54009.1.1			
Power	3400 cm ³			
Max. torque	75 HP / 55.5 kW			
Injection	318 Nm at 1400 rpm			
Cooling	Direct			
Laden drawbar pull	4 670 daN	6 290 daN	4 670 daN	6290 daN
Transmission				
	Torque converter	Hydrostatic	Torque converter	Torque converter
Gearbox	Mechanical		Mechanical	Hydro-statique
Reversing shift	Electro-hydraulic	Electro-magnetic	Electro-hydraulic	Electro-magnetic
Number of gears (forward/reverse)	4/4		4/4	4/4
Max. travel speed (may vary according to applicable regulations)	22.1 km/h		21.6 km/h	
Front axle differential lock	yes		no	yes
Control for 2/4 wheel drive	no		yes	no
Controls				
Hydro-proportional levers for all movements				
Hydraulics				
Pump	Gear pump 97 l/min - 245 bar			
Capacities				
Hydraulic oil			80 l	
Fuel			85 l	
Unladen weight (with standard mast forks)	5 092 kg	5 211 kg	5 290 kg	5 485 kg
Dimensions				
1. Front wheel centre to carriage			0.75 m	
2. Wheelbase			1.99 m	
3. Rear wheel centre to rear face			0.76 m	
4. Overall length to carriage			3.49 m	
5. Ground clearance	0.38 m	0.39 m	0.37 m	0.38 m
6. Inside tyre width	1.55 m	1.52 m	1.55 m	1.52 m
7. Overall width	1.90 m	1.92 m	1.90 m	1.92 m
8. Overall height	2.73 m		2.72 m	
Standard forks (length x width x thickness)	1200 x 125 x 40 mm			
Turning radius	3.49 m	4.27 m	3.49 m	4.27 m
Tilt standard mast (forward/backward)	6° / 12°			
Noise and vibration				
Noise at driving position (LpA)			76 dB	
Environmental noise (LwA)			104 dB	
Vibration to whole hand/arm			<2.5 m/s ²	
Vibration on driver's body			0.97 m/s ²	



M40-2 M40-4 M50-2 M50-4

	M40-2 / M40-2H		M40-4	M50-2 / M50-2H		M50-4
Lifting						
Max. capacity	4 000 kg at 500 mm CDG			5 000 kg at 600 mm CDG		
Lifting height (standard mast)				3.70 m		
Max. lifting height				6.00 m		
Unladen time						
Lifting	0.5 m/s		0.4 m/s	0.5 m/s		0.4 m/s
Lowering	0.4 m/s		0.3 m/s	0.4 m/s		0.3 m/s
Tyres						
Forward	18-19.5 18PR 166A6 TL		18-22.5 163A8 MPT-06 TL	18-19.5 18PR 166A6 TL		18-22.5 163A8 MPT-06 TL
Backward	10R17.5 134/132M G291		340/80R18 XMCL 143A8	10R17.5 134/132M G291		340/80 R18 XMCL 143A8
Braking						
Service brake	Oil immersed multi-disc braking on front/rear axles					
Parking brake	Oil immersed multi-disc mechanics on the front axle					
Engine						
Type	PERKINS - STAGE 3B					
Cubic capacity	PERKINS 854F-E34T 54009.1.1					
Power	3400 cm ³					
Max. torque	75 HP / 55.5 kW					
Injection	318 Nm at 1400 rpm					
Cooling	Direct					
Laden drawbar pull				6 090 daN		10 220 daN
Transmission						
	Torque converter	Hydrostatic	Torque converter	Torque converter	Hydrostatic	Torque converter
Gearbox	Mechanical		Mechanical	Mechanical		Mechanical
Reversing shift	Electro-hydraulic	Electro-magnetic	Electro-hydraulic	Electro-hydraulic	Electro-magnetic	Electro-hydraulic
Number of gears (forward/reverse)	4/4		4/4	4/4		4/4
Max. travel speed (may vary according to applicable regulations)	23.9 km/h		24 km/h	23.9 km/h		24 km/h
Front axle differential lock	yes		no	yes		no
Control for 2/4 wheel drive	no		yes	no		yes
Controls						
	Hydro-proportional levers for all movements					
Hydraulics						
Pump	Gear pump 97 l/min - 230 bar					
Capacities						
Hydraulic oil	80 l					
Fuel	85 l					
Unladen weight (with standard mast forks)	7 175 kg		7 255 kg	7 920 kg		8 190 kg
Dimensions						
1. Front wheel centre to carriage			0.77 m			0.76 m
2. Wheelbase	2.06 m		2.12 m	2.06 m		2.12 m
3. Rear wheel centre to rear face	0.84 m		0.78 m	0.92 m		0.86 m
4. Overall length to carriage	3.68 m		3.66 m	3.76 m		3.74 m
5. Ground clearance	0.37 m		0.44 m	0.36 m		0.43 m
6. Inside tyre width	1.60 m		1.62 m	1.60 m		1.62 m
7. Overall width	2.06 m		2.08 m	2.06 m		2.08 m
8. Overall height	2.86 m		2.91 m	2.86 m		2.91 m
Standard forks (length x width x thickness)	1200 x 150 x 60 mm					
Turning radius	3.26 m		4.52 m	3.40 m		4.57 m
Tilt standard mast (forward/backward)	15° / 15°					
Noise and vibration						
Noise at driving position (LpA)	76 dB					
Environmental noise (LwA)	104 dB					
Vibration to whole hand/arm	<2.5 m/s ²					
Vibration on driver's body	1.16 m/s ²					



Your nearest **MANITOU** dealer:



Head office :
B.P. 249 - 430 rue de l'Aubinière - 44158 Ancenis Cedex - France
Tél. : 00 33 (0)2 40 09 10 11 - Fax : 00 33 (0)2 40 83 36 88
www.manitou.com